

时控开关 Time Switch

4G 远程控制 / WiFi 远程控制 / 智能光控
天文经纬度 / 时光雨控 / 倒计时
循环 / 大功率 / 防水 / 防雨淋 ...

www.toone.cn



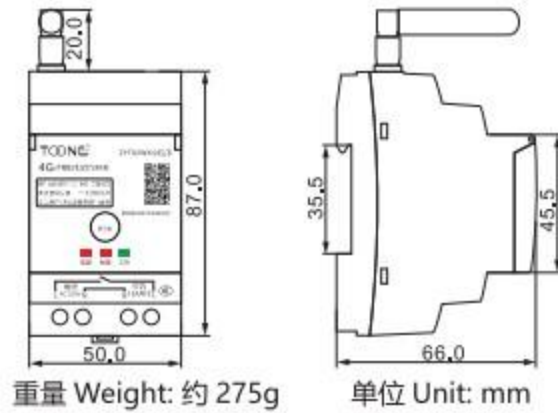
扫一扫关注公众号

上海卓一电子有限公司

地址：上海市浦东新区航头路 118 号

电话：86-21-33893666

ZYT02WX 4G 远程控制时控开关 4G remote control time switch



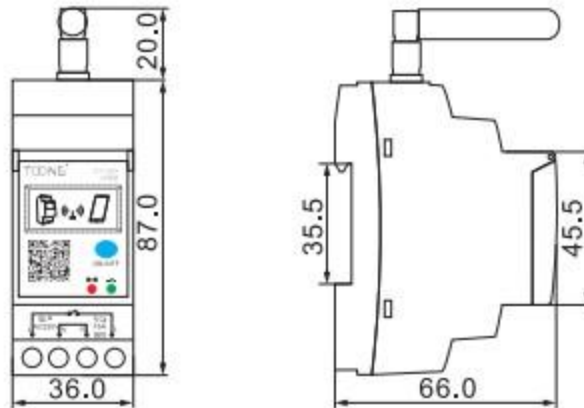
重量 Weight: 约 275g

单位 Unit: mm

ZYT06WX 远程大功率时控开关 Remote high-power time switch

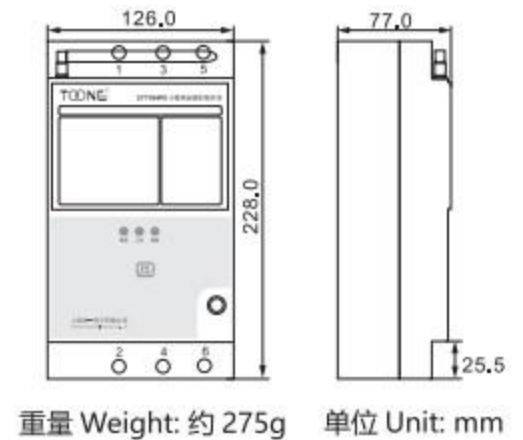


ZYT15WX 远程控制时控开关 Remote control time switch



重量 Weight: 约 275g

单位 Unit: mm



重量 Weight: 约 275g

单位 Unit: mm

★ 4G 网络无需 WIFI ★ 内置流量无需插卡 ★ 天文经纬度功能
★ 4G network does not require WIFI ★ Built in data without the need for card insertion ★ Astronomical latitude and longitude function

产品特点

- 微信小程序设定控制
- 云端时钟全年无误差
- 分组功能管理多台设备
- 分享他人实现多人操控
- 账户迁移进行项目移交

性能指标

- 电源电压: AC220/380V (见产品标示) 50Hz/60Hz
- 开关容量: ZYT02WX/ZYT15WX 阻性 16A 容性 / 感性 3A
ZYT06WX 32A 大功率带各种类型负载
- 使用范围: 手机信号覆盖区域
- 通讯类型: 4G 网络 (仅限中国大陆)
- 定时组数: 20 组 (20 开 20 关)
- 功耗: ZYT02WX/ZYT15WX ≤ 3VA ZYT06WX ≤ 15VA

经纬度 (天文日照) 功能:

- 输入经纬度值, 根据当地每天日出日落的时间变化自动修正开关时间。
- 每天开关时间一次设置多年不变, 适应性强, 自动跟踪, 自动修正。
- 定时程序可自由选择开启或关闭经纬度功能, 实现全夜灯或半夜灯。
- 根据实际需求可修改日落日出时间, 满足不同场景应用。

Product Features

- Wechat mini program setting control
- Cloud clock has no error throughout the year
- Grouping function manages multiple devices
- Sharing with others to achieve multi person control
- Account migration for project handover

Performance index

- Power supply voltage: AC220/380V (see product label) 50Hz/60Hz
- Switch capacity: ZYT02WX/ZYT15WX resistive 16A capacitive/inductive 3A
ZYT06WX 32A high-power with various types of loads
- Scope of use: Mobile signal coverage area
- Communication type: 4G network (Chinese Mainland only)
- Number of timed groups: 20 groups (20 on and 20 off)
- Power waste: ZYT02WX/ZYT15WX ≤3VA ZYT06WX ≤15VA

Longitude and latitude (astronomical sunlight) function:

- Enter latitude and longitude values, and automatically adjust the switch time based on the local daily sunrise and sunset time changes.
- The switch time is set once a day and remains unchanged for many years, with strong adaptability, automatic tracking, and automatic correction.
- The timing program can freely choose to turn on or off the latitude and longitude function, achieving full night light or midnight light.
- The sunset and sunrise times can be modified according to actual needs to meet different application scenarios.

ZYT20W WiFi 远程控制时控开关

WiFi remote control time switch

- ★ 18mm 超小体积
- ★ 无流量费用
- ★ 6 组循环定时
- ★ 18mm ultra small volume
- ★ No data usage fees
- ★ 6 sets of cycle timing

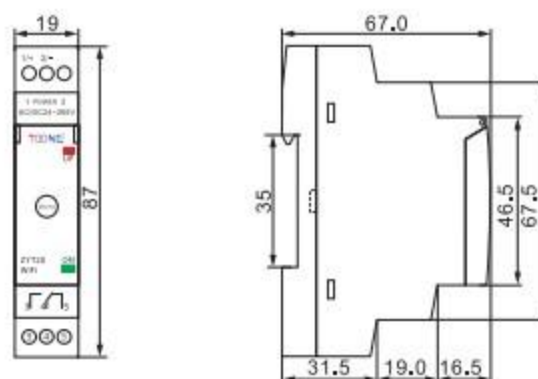


产品特点

- 天猫精灵 APP 设定控制
- 云端时钟全年无误差
- 需 WiFi 2.4GHz 网络覆盖
- 产品表面手动开关按键
- 标准 35mm 导轨可与 C45 并排安装

性能指标

- 电源电压: AC/DC24~265V 50/60Hz
- 开关容量: 阻性 10A 容性 / 感性 1A
- 触点组数: 1 常开, 1 常闭
- 设定方式: 智能手机 APP 设定
- 定时组数: 6 组 (6 开 6 关)
- 时控范围: 1 分 ~ 168 小时
- 无线标准: WiFi 2.4GHz 802.11b/g/n



重量 Weight: 约 73g

单位 Unit: mm

Product Features

- Tmall Genie APP setting control
- Cloud clock has no error throughout the year
- Requires WiFi 2.4GHz network coverage
- Manual switch button on the surface of the product
- DIN 35mm rail can be installed side by side with C45

Performance index

- Power supply voltage: AC/DC24~265V 50/60Hz
- Switch capacity: resistive 10A capacitive/inductive 1A
- Number of contact groups: 1 normally open/1 normally closed
- Setting method: Smartphone APP setting
- Number of timed groups: 6 groups (6 on and 6 off)
- Time control range: 1 minute to 168 hours
- Wireless standard: WiFi 2.4GHz 802.11b/g/n

ZYT20 微电脑时控开关

Microcomputer time switch

- ★ 18mm 超薄体积
- ★ 20 组循环定时
- ★ 可更换纽扣电池
- ★ 18mm ultra-thin volume
- ★ 20 sets of timed cycles
- ★ Replaceable button battery

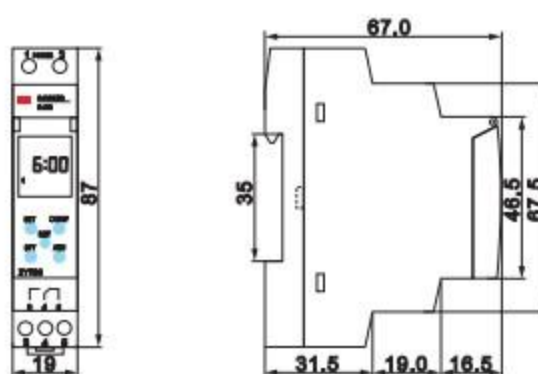


产品特点

- 新增倒计时功能 定时模式更为丰富
- 常开常闭触点输出, 满足多种电路需求
- 18mm 超薄体积与 C45 并轨节省空间

性能指标

- 电源电压: AC/DC24~265V 50Hz/60Hz
- 开关容量: 阻性 10A 容性 / 感性 3A
- 消耗功率: $\leq 2VA$
- 时控范围: 1 分 - 168 小时
- 定时次数: 20 组 (20 开 20 关)
- 计时误差: $\leq \pm 2$ 秒 / 天



重量 Weight: 约 73g

单位 Unit: mm

Product Features

- Added countdown function with richer timing mode
- Normally open and normally closed contact output, meeting various circuit requirements
- 18mm ultra-thin volume and C45 parallel track save space

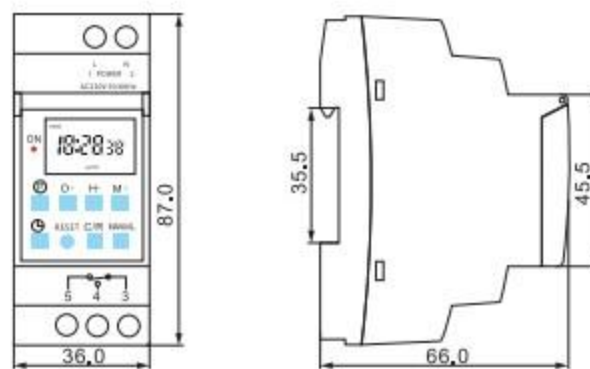
Performance index

- Power supply voltage: AC/DC24~265V 50Hz/60Hz
- Switch capacity: resistive 10A capacitive/inductive 3A
- Power consumption: $\leq 2VA$
- Time control range: 1 minute to 168 hours
- Number of timed groups: 20 groups (20 on and 20 off)
- Timing error: $\leq \pm 2$ seconds/day

ZYT15 微电脑时控开关

Microcomputer time switch

- ★ 2P 导轨安装尺寸
- ★ 16 组循环定时
- ★ 内置大容量电池
- ★ 2P rail installation dimensions
- ★ 16 sets of cycle timing
- ★ Built in large capacity battery



重量 Weight: 约 135g 单位 Unit: mm

产品特点

- 内置大功率继电器整机带载能力强
- 常开常闭触点输出, 满足多种电路需求
- 标准 35mm 导轨可与 C45 并排安装

性能指标

- 电源电压: AC220V 50Hz/60Hz
- 开关容量: 阻性 16A 容性 / 感性 3A
- 消耗功率: $\leq 5VA$
- 时控范围: 1 分 ~ 168 小时
- 定时组数: 16 组 (16 开 16 关)
- 计时误差: $\leq \pm 2$ 秒 / 天

Product Features

- Built in high-power relay with strong overall load capacity
- Normally open and normally closed contact output, meeting various circuit requirements
- DIN 35mm rail can be installed side by side with C45

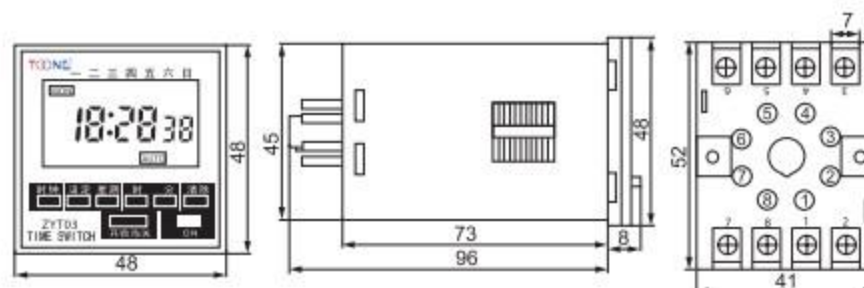
Performance index

- Power supply voltage: AC220V 50Hz/60Hz
- Switch capacity: resistive 16A capacitive/inductive 3A
- Power consumption: $\leq 5VA$
- Time control range: 1 minute to 168 hours
- Number of timed groups: 16 groups (16 on and 16 off)
- Timing error: $\leq \pm 2$ seconds/day

ZYT03 微电脑时控开关

Microcomputer time switch

- ★ 48×48 面板安装
- ★ 16 组循环定时
- ★ 插拔式接线底座
- ★ 48×48 panel installation
- ★ 16 sets of cycle timing
- ★ Plug in wiring base



重量 Weight: 约 140g 单位 Unit: mm

产品特点

- 大屏背光 LCD 高清显示直观明了
- 触点开关输出, 满足多种电路需求
- 柜体面板开孔安装美观大方

性能指标

- 电源电压: AC220V 50Hz/60Hz
- 开关容量: 阻性 16A 容性 / 感性 3A
- 消耗功率: $\leq 5VA$
- 时控范围: 1 分 ~ 168 小时
- 定时组数: 16 组 (16 开 16 关)
- 计时误差: $\leq \pm 2$ 秒 / 天

Product Features

- Large screen backlit LCD high-definition display is intuitive and clear
- Contact switch output, meeting various circuit requirements
- The installation of cabinet panel openings is beautiful and elegant

Performance index

- Power supply voltage: AC220V 50Hz/60Hz
- Switch capacity: resistive 16A capacitive/inductive 3A
- Power consumption: $\leq 5VA$
- Time control range: 1 minute to 168 hours
- Number of timed groups: 16 groups (16 on and 16 off)
- Timing error: $\leq \pm 2$ seconds/day

ZYT15GK 智能光控开关

Intelligent twilight switch

- ★ 防水感应探头
- ★ 50 档光感设定
- ★ 可天亮前提前关闭
- ★ Waterproof sensing probe
- ★ 50 levels of light sensitivity setting
- ★ Can be closed before dawn

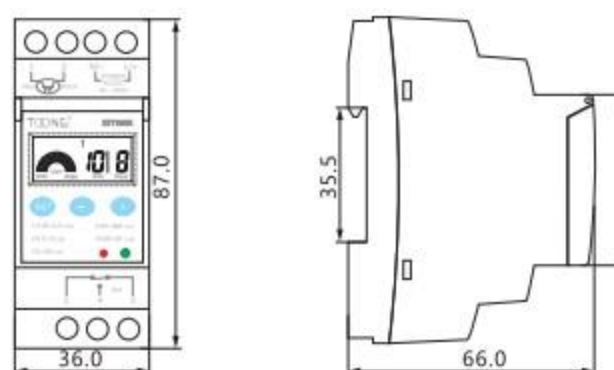


产品特点

- 采用微电脑芯片检测光照度信号
- 分离外置式高精度光度感应器，误差小、采样精准
- 按键数显设定方式，精准可靠
- 标准 35mm 导轨可与 C45 并排安装

性能指标

- 电源电压：AC/DC90~250V 50Hz/60Hz
- 触点组数：1 常开 / 常闭
- 开关容量：1 阻性 16A 感性 / 容性 3A
- 照度范围：0.05~5000Lux
- 光感延时：0~10 分钟
- 工作时长：纯光控或 1~19 小时



重量 Weight: 约 175g

单位 Unit: mm

Product Features

- Using microcomputer chips to detect illuminance signals
- Separate external high-precision photometric sensor with small error and precise sampling
- Key digital display setting mode, accurate and reliable
- DIN 35mm rail can be installed side by side with C45

Performance index

- Power supply voltage: AC/DC90~250V 50Hz/60Hz
- Number of contact groups: 1 normally open/normally closed
- Switch capacity: 1 resistive 16A inductive/capacitive 3A
- Illumination range: 0.05~5000Lux
- Light sensing delay: 0-10 minutes
- Working hours: pure light control or 1-19 hours

ZYT26KG 防雨淋光控开关

Rainproof twilight switch

- ★ 透明盖防雨设计
- ★ 50 档光感设定
- ★ 可直接户外安装
- ★ 可天亮前提前关闭
- ★ Transparent cover rainproof design
- ★ 50 levels of light sensitivity setting
- ★ Can be directly installed outdoors
- ★ Can be closed before dawn

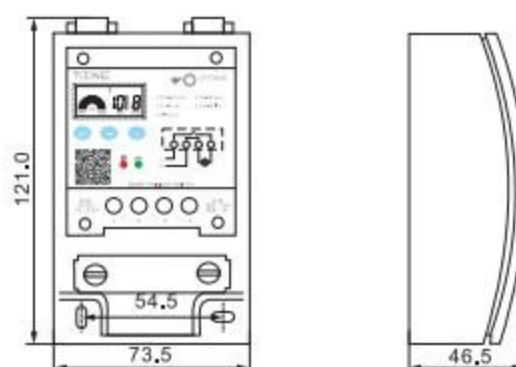


产品特点

- 全天候户外防雨淋耐温抗老化设计
- 下方端子接线处密封橡胶防护
- 电压输出，接线方便快捷
- 壁挂安装方便快捷，牢固可靠

性能指标

- 电源电压：AC220V 50Hz/60Hz
- 触点组数：1 常开
- 开关容量：阻性 16A 感性 / 容性 3A
- 照度范围：0.05~5000Lux
- 光感延时：0-10 分钟
- 工作时长：纯光控或 1~19 小时



重量 Weight: 约 205g

单位 Unit: mm

Product Features

- All weather outdoor rain proof, temperature resistant and aging resistant design
- Sealing rubber protection at the lower terminal connection
- Voltage output, easy and fast wiring
- Wall mounted installation is convenient, fast, sturdy, and reliable

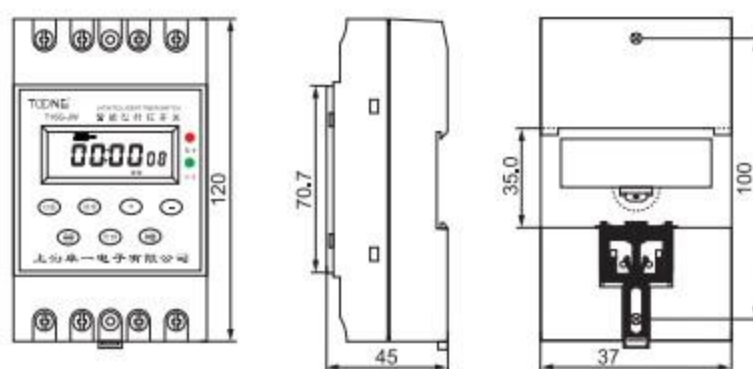
Performance index

- Power supply voltage: AC220V 50Hz/60Hz
- Number of contact groups: 1 normally open
- Switch capacity: resistive 16A inductive/capacitive 3A
- Illumination range: 0.05~5000Lux
- Light sensing delay: 0-10 minutes
- Working hours: pure light control or 1-19 hours

ZYT16G-JW 经纬度时控开关

Longitude and latitude time switch

- ★ 经纬度锁定日落日出
- ★ 自动修正开关时间
- ★ 无需专人维护
- ★ Latitude and longitude locked sunset sunrise
- ★ Automatic correction of switch time
- ★ No need for dedicated maintenance



重量 Weight: 约 300g 单位 Unit: mm

产品特点

- 输入经纬度值，根据当地每天日出日落的时间变化自动修正开关时间。
- 每天开关时间一次设置多年不变，适应性强，自动跟踪，自动修正。
- 定时程序可自由选择开启或关闭经纬度功能，实现全夜灯或半夜灯
- 根据实际需求可修改日落日出时间，满足不同场景应用

性能指标

- 电源电压: AC220V 50/60Hz
- 开关容量: 阻性 25A 容性 / 感性 3A
- 经度范围: 东经 0~180 西经 0~-180
- 纬度范围: 北纬 0~80
- 时控范围: 1分~168小时
- 定时组数: 16组 (16开16关)
- 计时误差: $\leq \pm 2$ 秒 / 天

Product Features

- Enter latitude and longitude values, and automatically adjust the switch time based on the local daily sunrise and sunset time changes.
- The switch time is set once a day and remains unchanged for many years, with strong adaptability, automatic tracking, and automatic correction.
- The timing program can freely choose to turn on or off the latitude and longitude function, achieving full night light or midnight light
- According to actual needs, the sunset and sunrise times can be modified to meet different application scenarios

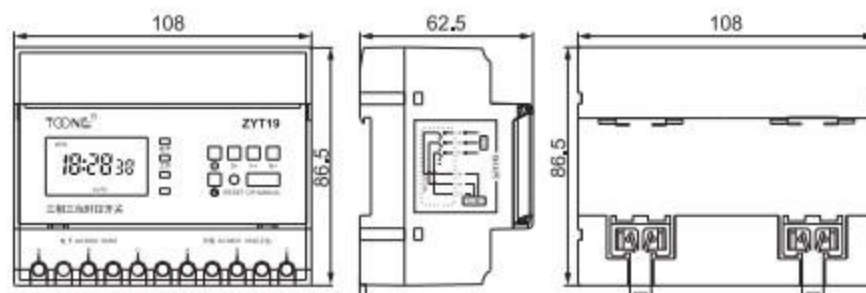
Performance index

- Power supply voltage: AC220V 50/60Hz
- Switch capacity: resistive 25A capacitive/inductive 3A
- Longitude range: East longitude 0~180 West longitude 0~-180
- Latitude range: North latitude 0~80
- Time control range: 1 minute to 168 hours
- Number of timed groups: 16 groups (16 on and 16 off)
- Timing error: $\leq \pm 2$ seconds/day

ZYT19 三相三线时控开关

Three phase three wire time switch

- ★ 大屏 LCD 显示
- ★ 16 组循环定时
- ★ 三线直接输入输出
- ★ Large screen LCD display
- ★ 16 sets of cycle timing
- ★ Three wire direct input/output



重量 Weight: 约 480g 单位 Unit: mm

产品特点

- 大屏背光 LCD 高清显示直观明了
- 接线端子大距离隔离，提升用电安全
- 内置三路大功率继电器三相三线同步通断

性能指标

- 电源电压: 三相 AC380V 50/60Hz
- 开关容量: 阻性 16A 容性 / 感性 7A
- 消耗功率: ≤ 4 VA
- 时控范围: 1分~168小时
- 定时组数: 16组 (16开16关)
- 计时误差: $\leq \pm 2$ 秒 / 天

Product Features

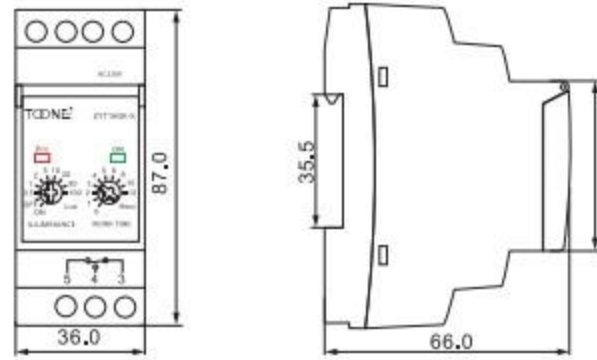
- Large screen backlit LCD high-definition display is intuitive and clear
- Long distance isolation of wiring terminals enhances electrical safety
- Built in three high-power relays for three-phase three wire synchronous on/off

Performance index

- Power supply voltage: Three phase AC380V 50/60Hz
- Switch capacity: resistive 16A capacitive/inductive 7A
- Power consumption: ≤ 4 VA
- Time control range: 1 minute to 168 hours
- Number of timed groups: 16 groups (16 on and 16 off)
- Timing error: $\leq \pm 2$ seconds/day

ZYT15GK-X 旋钮式光控开关 Analog twilight switch

- ★ 防雨感应探头
- ★ 8 档光感设定
- ★ 可天亮前提前关闭
- ★ Rainproof sensing probe
- ★ 8 levels of light sensitivity setting
- ★ Can be closed before dawn



重量 Weight: 约 275g 单位 Unit: mm

产品特点

- 采用微电脑芯片检测光照度信号
- 分离外置式高精度光度感应器，误差小、采样精准
- 旋钮模拟设定方式，方便快捷
- 标准 35mm 导轨可与 C45 并排安装

性能指标

- 电源电压: AC220V 50Hz/60Hz
- 触点组数: 1 常开 / 常闭
- 开关容量: 阻性 16A 感性 / 容性 3A
- 照度范围: 0.5~100Lux
- 光感延时: 10 秒
- 工作时长: 纯光控或 1~12 小时

Product Features

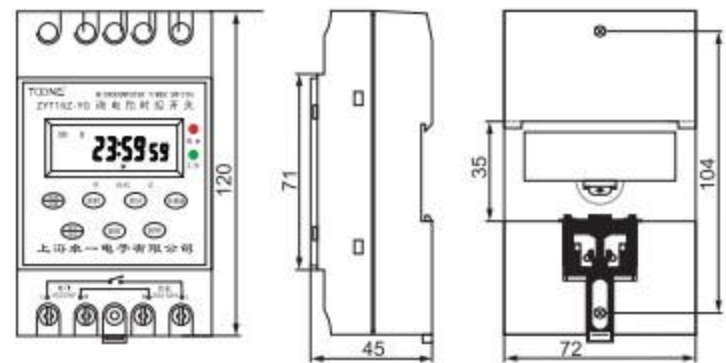
- Using microcomputer chips to detect illuminance signals
- Separate external high-precision photometric sensor with small error and precise sampling
- The knob is set by analog, which is convenient and fast.
- DIN 35mm rail can be installed side by side with C45

Performance index

- Power supply voltage: AC220V 50Hz/60Hz
- Number of contact groups: 1 normally open/normally closed
- Switch capacity: 1 resistive 16A inductive/capacitive 3A
- Illumination range: 0.5~100Lux
- Light sensing delay: 10s
- Working hours: pure light control or 1-12 hours

ZYT16Z-YG 光雨控时控开关 Light rain control time switch

- ★ 可更换 5 号电池
- ★ 16 组循环定时
- ★ 光控雨控可选配
- ★ Can replace battery No.5
- ★ 16 sets of cycle timing
- ★ Light controlled rain control is optional



重量 Weight: 约 300g 单位 Unit: mm

产品特点

- 感应到光照 1 分钟左右关闭，无光照 5 分钟左右开启
- 感应到雨水立即关闭，无雨水后 5 分钟左右开启
- 分离外置式高精度光度感应器、雨控感应器
- 雨控感应器应用在下雨时需关闭电路的场景
- 导轨壁挂螺丝固定多种安装方式

性能指标

- 电源电压: AC220V 50/60Hz
- 开关容量: 阻性 25A 容性 / 感性 3A
- 消耗功率: ≤ 4VA
- 时控范围: 1 分 ~ 168 小时
- 定时组数: 16 组 (16 开 16 关)
- 计时误差: ≤ ±2 秒 / 天
- 光照值: 开启小于 10Lux, 关闭大于 20Lux

Product Features

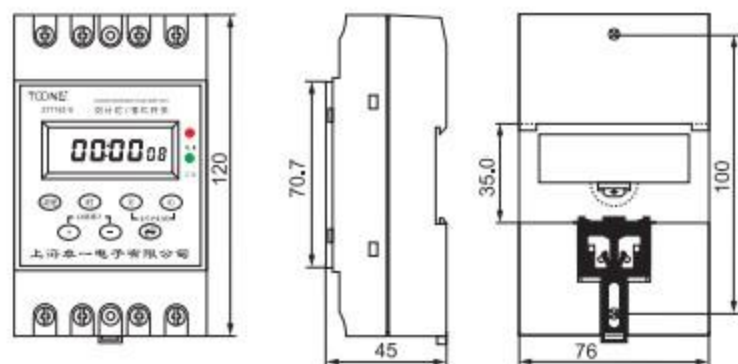
- Turn off when exposed to light for about 1 minute and turn on when there is no light for about 5 minutes
- Immediately turn off when rain is detected, and turn on after about 5 minutes when there is no rain
- Separate external high-precision photometric sensor and rain control sensor
- Rain control sensors are applied in scenarios where the circuit needs to be turned off during rain
- Multiple installation methods for fixing guide rail wall mounted screws

Performance index

- Power supply voltage: AC220V 50Hz/60Hz
- Switch capacity: resistive 25A capacitive/inductive 3A
- Power consumption: ≤4VA
- Time control range: 1 minute to 168 hours
- Number of timed groups: 16 groups (16 on and 16 off)
- Timing error: ≤± 2 seconds/day
- Light value: less than 10Lux on, greater than 20Lux off

ZYT16Z-S 倒计时 / 循环开关 Countdown/cycle switch

- ★ 可更换 5 号电池
- ★ 多种计时模式
- ★ 导轨或螺丝安装
- ★ Can replace battery No.5
- ★ Multiple timing modes
- ★ Installation of guide rails or screws



重量 Weight: 约 300g 单位 Unit: mm

产品特点

- 倒计时关闭: 启动程序时开关处于开启状态, 计时结束关闭
- 预约延时开启: 启动程序时开关处于关闭状态, 计时结束开启
- 循环开关: 启动程序时开关处于开启状态, 按设定的开和关时间开始倒计时, 无限次循环关闭与开启
- 循环总时间: 循环总时间结束计时循环工作结束开关断开

性能指标

- 电源电压: AC220 50/60Hz
- 开关容量: 阻性 25A 容性 / 感性 3A
- 消耗功率: $\leq 5VA$
- 计时范围: 1 秒 ~ 99 小时 59 分 59 秒
- 计时误差: $\leq \pm 2$ 秒 / 天

Product Features

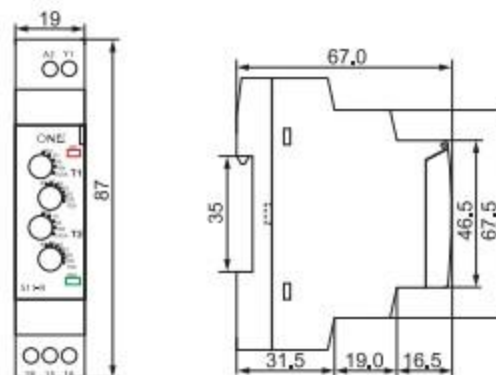
- Countdown off: When the program is activated, the switch is in the on state, and when the timer ends, it is turned off
- Reservation delay activation: When starting the program, the switch is in the off state, and it is activated when the timer ends
- Cycle switch: When starting the program, the switch is in the on state, and the countdown starts according to the set on and off time, with infinite cycles of closing and opening
- Total cycle time: End of cycle time timer, cycle work end switch disconnected

Performance index

- Power supply voltage: AC220 50/60Hz
- Switch capacity: resistive 25A capacitive/inductive 3A
- Power consumption: $\leq 5VA$
- Timing range: 1 second~99 hours 59 minutes 59 seconds
- Timing error: $\leq \pm 2$ seconds/day

ZYS11 时间继电器 Time Relay

- ★ 18mm 超薄体积
- ★ 超宽延时范围
- ★ 多种延时模式
- ★ 18mm ultra-thin volume
- ★ Ultra wide delay range
- ★ Multiple delay modes



重量 Weight: 约 73g 单位 Unit: mm

产品特点

- ZYS11-A 通电延时: 接通电源继电器触点是断开的, 延时到设定时间后继电器触点吸合
- ZYS11-G 释放延时: 接通电源继电器触点马上吸合, 延时到设定时间后继电器触点断开
- ZYS11-K 信号断开延时: 接通电源继电器触点是断开的, Y1-A1 信号端接通时触点吸合, 信号端断开后开始延时, 延时到设定时间触点断开
- ZYS11-R 循环延时: 接通电源 T1 时间开始延时, 此时继电器触点是断开状态, T1 延时时间结束后继电器吸合, 同时开始 T2 时间的延时, T2 延时时间结束后继电器再次断开, 以此不断的循环工作

性能指标

- 电源电压: AC/DC24~240V
- 开关容量: 阻性 3A 容性 / 感性 1A
- 开关触点: 1 常开 1 常闭
- 延时范围: 0.1s~100h
- 安装方式: 导轨安装

Product Features

- ZYS11-A power on delay: When the power is turned on, the relay contact is disconnected. After the delay reaches the set time, the relay contact is closed
- ZYS11-G release delay: The relay contact is immediately closed when the power is turned on, and the relay contact is disconnected after a set time delay
- ZYS11-K signal disconnection delay: When the power is turned on, the contact is disconnected. When the Y1-A1 signal terminal is turned on, the contact is connected. After the signal terminal is disconnected, the delay begins, and the contact disconnects at the set time
- ZYS11-R cycle delay: The T1 delay time begins when the power is turned on, and the relay contact is in the open state. After the T1 delay time ends, the relay is closed, and at the same time, the delay of T2 time begins. After the T2 delay time ends, the relay is disconnected again, and the cycle continues to work

Performance index

- Power supply voltage: AC/DC24~240V
- Switch capacity: resistive 3A capacitive/inductive 1A
- Number of contact groups: 1 normally open/normally closed
- Delay range: 0.1s~100h
- Installation method: rail installation

ZYT26

防雨淋时控开关

Rainproof time switch

- ★ 透明盖防雨设计
- ★ 16 组循环定时
- ★ 可直接户外安装
- ★ Transparent cover rainproof design
- ★ 16 sets of cycle timing
- ★ Can be directly installed outdoors

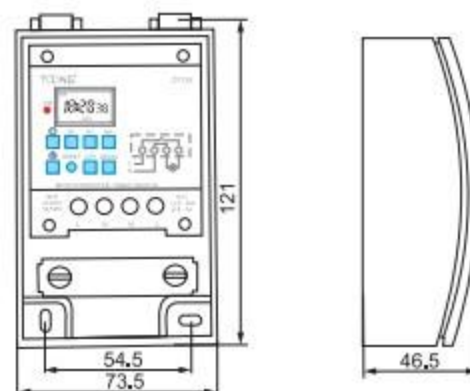


产品特点

- 全天候户外防雨淋耐温抗老化设计
- 下方端子接线处密封橡胶防护
- 电压输出, 接线方便快捷
- 壁挂安装方便快捷, 牢固可靠

性能指标

- 电源电压: AC220V 50/60Hz
- 开关容量: 阻性 20A 容性 / 感性 3A
- 消耗功率: $\leq 4VA$
- 时控范围: 1 分 ~ 168 小时
- 定时组数: 16 组 (16 开 16 关)
- 计时误差: $\leq \pm 2$ 秒 / 天



重量 Weight: 约 205g

单位 Unit: mm

Product Features

- All weather outdoor rain proof, temperature resistant and aging resistant design
- Sealing rubber protection at the lower terminal connection
- Voltage output, easy and fast wiring
- Wall mounted installation is convenient, fast, sturdy, and reliable

Performance index

- Power supply voltage: AC220V 50/60Hz
- Switch capacity: resistive 20A capacitive/inductive 3A
- Power consumption: $\leq 4VA$
- Time control range: 1 minute to 168 hours
- Number of timed groups: 16 groups (16 on and 16 off)
- Timing error: $\leq \pm 2$ seconds/day

ZYT23

防水时控开关

Waterproof time switch

- ★ 全方位防水
- ★ 16 组循环定时
- ★ 内置大容量电池
- ★ Comprehensive waterproofing
- ★ 16 sets of cycle timing
- ★ Built in large capacity battery

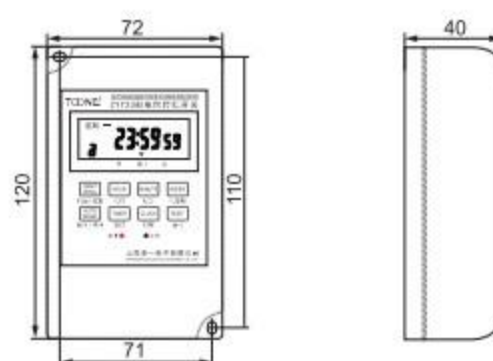


产品特点

- 全天候户外防水耐温抗老化设计
- 引线部位采用环氧树脂密封处理
- 电压输出, 接线方便快捷
- 螺丝固定安装, 牢固可靠

性能指标

- 电源电压: AC220V 50Hz/60Hz
- 开关容量: 阻性 25A 容性 / 感性 3A
- 消耗功率: $\leq 4VA$
- 时控范围: 1 分 ~ 168 小时
- 定时组数: 16 组 (16 开 16 关)
- 计时误差: $\leq \pm 2$ 秒 / 天



重量 Weight: 约 300g

单位 Unit: mm

Product Features

- All weather outdoor waterproof, temperature resistant and aging resistant design
- The lead part is sealed with epoxy resin
- Voltage output, easy and fast wiring
- Screw fixed installation, firm and reliable

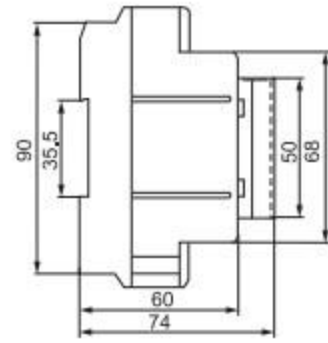
Performance index

- Power supply voltage: AC220V 50Hz/60Hz
- Switch capacity: resistive 25A capacitive/inductive 3A
- Power consumption: $\leq 4VA$
- Time control range: 1 minute to 168 hours
- Number of timed groups: 16 groups (16 on and 16 off)
- Timing error: $\leq \pm 2$ seconds/day

ZYT02-M 秒级时控开关

Second level time switch

- ★ 大屏背光 LCD
- ★ 16 组循环定时
- ★ 内置大容量电池
- ★ Large screen backlit LCD
- ★ 16 sets of cycle timin
- ★ Built in large capacity battery



重量 Weight: 约 300g

单位 Unit: mm

产品特点

- 触点开关输出，满足多种电路需求
- 可按秒单位设置定时程序，走时精准可靠
- 标准 35mm 导轨可与 C45 并排安装

性能指标

- 电源电压: AC220V 50Hz/60Hz
- 开关容量: 阻性 20A 容性 / 感性 3A
- 消耗功率: $\leq 4VA$
- 时控范围: 1 秒 ~ 168 小时
- 定时组数: 20 组 (20 开 20 关)
- 计时误差: $\leq \pm 2$ 秒 / 天

Product Features

- Contact switch output, meeting various circuit requirements
- Timer program can be set in seconds for precise and reliable travel time
- DIN 35mm rail can be installed side by side with C45

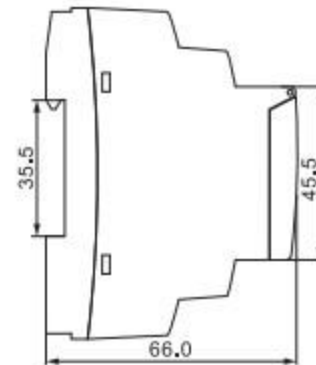
Performance index

- Power supply voltage: AC220V 50Hz/60Hz
- Switch capacity: resistive 20A capacitive/inductive 3A
- Power consumption: $\leq 4VA$
- Time control range: 1 seconds to 168 hours
- Number of timed groups: 20 groups (20 on and 20 off)
- Timing error: $\leq \pm 2$ seconds/day

ZYT02-3a (三路) 多回路时控开关

Multichannel time switch

- ★ 大屏背光 LCD
- ★ 16 组循环定时
- ★ 一 / 二 / 三路可选
- ★ Large screen backlit LCD
- ★ 16 sets of cycle timing
- ★ One/two/three channel options are available



重量 Weight: 约 220g

单位 Unit: mm

产品特点

- 可拓展选择常开 + 常闭触点
- 触点开关输出，满足多种电路需求
- 标准 35mm 导轨可与 C45 并排安装

性能指标

- 电源电压: AC220V 50Hz/60Hz
- 开关容量: 单路 阻性 16A 容性 / 感性 3A
多路 阻性 8A 容性 / 感性 1A
- 消耗功率: $\leq 4VA$
- 时控范围: 1 分 ~ 168 小时
- 定时组数: 16 组 (16 开 16 关)
- 计时误差: $\leq \pm 2$ 秒 / 天

Product Features

- Expandable options for normally open and normally closed contacts
- Contact switch output, meeting various circuit requirements
- DIN 35mm rail can be installed side by side with C45

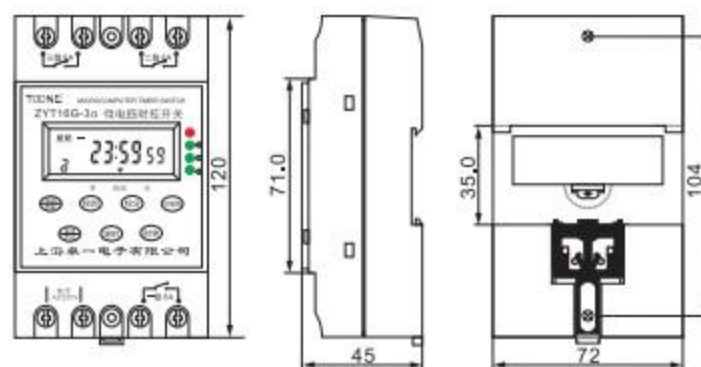
Performance index

- Power supply voltage: AC220V 50Hz/60Hz
- Switch capacity: Single channel resistive 16A capacitive/inductive 3A
Multi channel resistive 8A capacitive/inductive 1A
- Power consumption: $\leq 4VA$
- Time control range: 1 minute to 168 hours
- Number of timed groups: 16 groups (16 on and 16 off)
- Timing error: $\leq \pm 2$ seconds/day

ZYT16G-3a (三路) 多回路时控开关

Multichannel time switch

- ★ 可更换 5 号电池
- ★ 16 组循环定时
- ★ 一 / 二 / 三路可选
- ★ Can replace battery No.5
- ★ 16 sets of cycle timing
- ★ One/two/three channel options are available



重量 Weight: 约 270g 单位 Unit: mm

产品特点

- 大按键设计, 操作手感更加舒适
- 单路电压输出, 多路触点开关输出
- 内置大功率继电器整机带载能力强

性能指标

- 电源电压: AC220V 50Hz/60Hz
- 开关容量: 单路 阻性 25A 容性 / 感性 3A
多路 阻性 8A 容性 / 感性 1A
- 消耗功率: $\leq 4VA$
- 时控范围: 1 分 ~ 168 小时
- 定时组数: 16 组 (16 开 16 关)
- 计时误差: $\leq \pm 2$ 秒 / 天

Product Features

- Large button design for a more comfortable operating feel
- Single voltage output, multiple contact switch outputs
- Built in high-power relay with strong overall load capacity

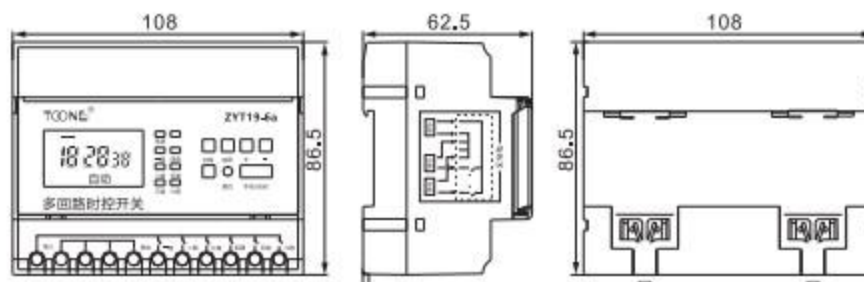
Performance index

- Power supply voltage: AC220V 50Hz/60Hz
- Switch capacity: Single channel resistive 25A capacitive/inductive 3A
Multi channel resistive 8A capacitive/inductive 1A
- Power consumption: $\leq 4VA$
- Time control range: 1 minute to 168 hours
- Number of timed groups: 16 groups (16 on and 16 off)
- Timing error: $\leq \pm 2$ seconds/day

ZYT19-6a 六回路时控开关

Six channels time switch

- ★ 时钟误差调整
- ★ 40 组循环定时
- ★ 六回路独立输出
- ★ Clock error adjustment
- ★ 40 sets of cycle timing
- ★ Six channels independent output



重量 Weight: 约 500 g 单位 Unit: mm

产品特点

- 大屏 LCD 高清显示直观明了
- 内置六路独立继电器, 输出稳定可靠
- 标准 35mm 导轨可与 C45 并排安装

性能指标

- 电源电压: AC220V 50Hz/60Hz
- 负载: 单路 $\leq 3A$ (阻性) 感性 1A
- 功耗: $\leq 5W$
- 时控范围: 1 分 ~ 168 小时
- 定时次数: 40 组 (40 开 40 关)
- 计时误差: $\leq \pm 2$ 秒 / 天

Product Features

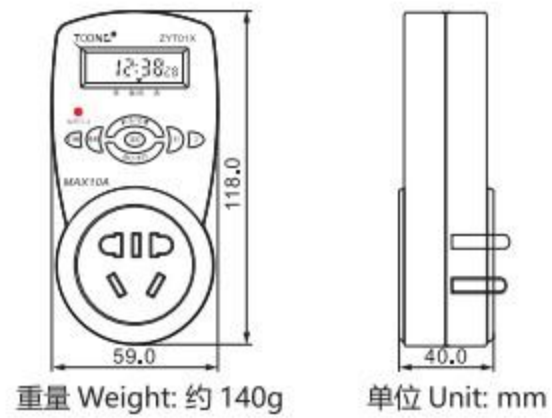
- Large screen LCD high-definition display is intuitive and clear
- Built in six independent relays for stable and reliable output
- DIN 35mm rail can be installed side by side with C45

Performance index

- Power supply voltage: AC220V 50Hz/60Hz
- Load: Single channel 3A (resistive) inductive 1A
- Power consumption: $\leq 5W$
- Time control range: 1 minute to 168 hours
- Number of timed groups: 40 groups (40 on 40 off)
- Timing error: $\leq \pm 2$ seconds/day

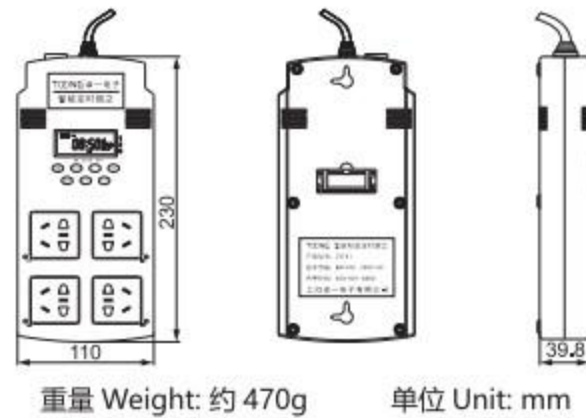
ZYT01 插座式时控开关 Socket type time switch

- ★ 五孔 10A 插座
- ★ 16 组循环定时
- ★ 外观小巧精致
- ★ Five hole 10A socket
- ★ 16 sets of cycle timing
- ★ Small and exquisite appearance



ZYT21 插板式时控开关 Plug-in type time switch

- ★ 手动电源开关
- ★ 16 组循环定时
- ★ 3 路定时 1 路常开
- ★ 壁挂固定安装
- ★ Manual power switch
- ★ 16 sets of cycle timing
- ★ 3 timed channels and 1 normally open
- ★ Wall mounted fixed installation



性能指标

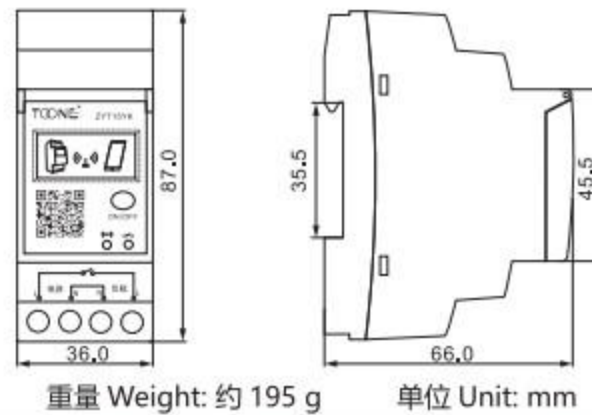
- 电源电压: AC220V 50Hz/60Hz
- 负载: 单路 10A(阻性) 感性 1A
- 功耗: $\leq 5W$
- 时控范围: 1 分 ~ 168 小时
- 定时组数: 16 组 (16 开 16 关)
- 计时误差: $\leq \pm 2$ 秒 / 天

Performance index

- Power supply voltage: AC220V 50Hz/60Hz
- Load: Single channel 10A (resistive) inductive 1A
- Power consumption: $\leq 5W$
- Time control range: 1 minute to 168 hours
- Number of timed groups: 16 groups (16 on and 16 off)
- Timing error: $\leq \pm 2$ seconds/day

ZYT15YK 遥控开关 Remote control switch

- ★ 远距离操控开关
- ★ 可选配多个遥控器
- ★ 产品表面手动开关按键
- ★ Remote control switch
- ★ Multiple remote controls are optional
- ★ Manual switch button on the surface of the product



产品特点

- 无线对码, 防串码设计稳定可靠
- 电压输出, 接线方便快捷
- 内置大功率继电器整机带载能力强
- 标准 35mm 导轨可与 C45 并排安装

Product Features

- Wireless code matching and anti serial code design are stable and reliable
- Voltage output, easy and fast wiring
- Built in high-power relay with strong overall load capacity
- DIN 35mm rail can be installed side by side with C45

性能指标

- 电源电压: AC220/380V (见产品标示) 50Hz/60Hz
- 开关容量: 阻性 16A 容性 / 感性 3A
- 消耗功率: $\leq 3VA$
- 遥控范围: 1000/3000 米 (空地无干扰)

Performance index

- Power supply voltage: AC220/380V (see product label) 50Hz/60Hz
- Switch capacity: resistive 16A capacitive/inductive 3A
- Power consumption: $\leq 3VA$
- Remote control range: 1000/3000 meters (no interference on open ground)